

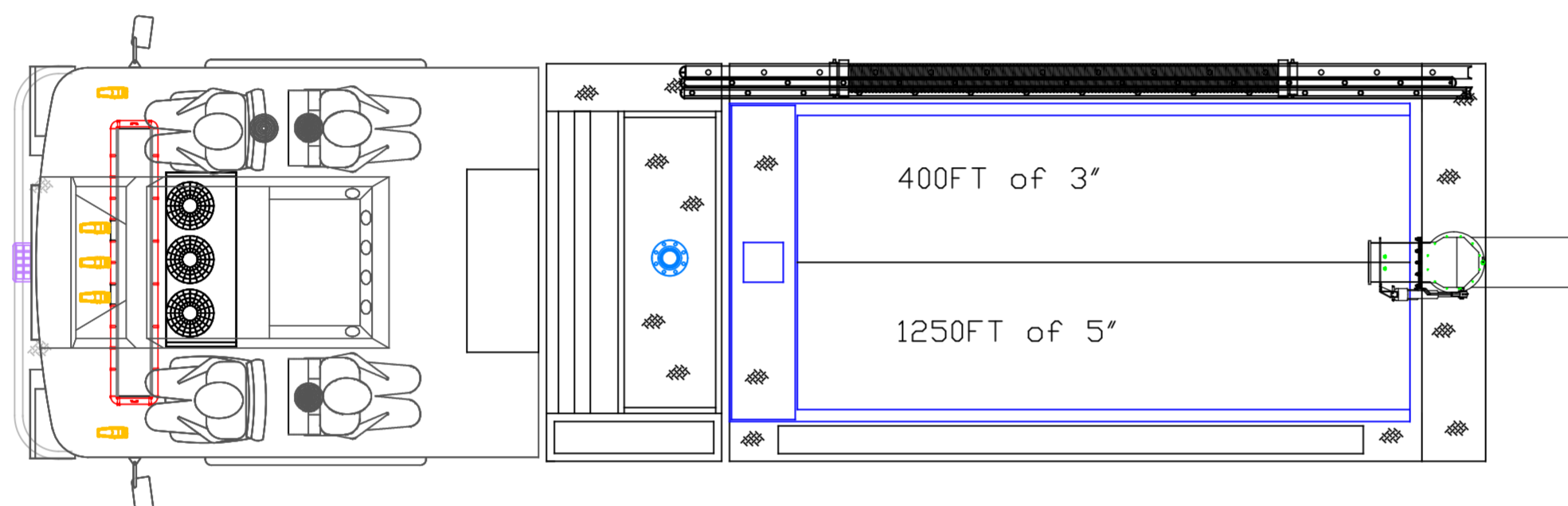
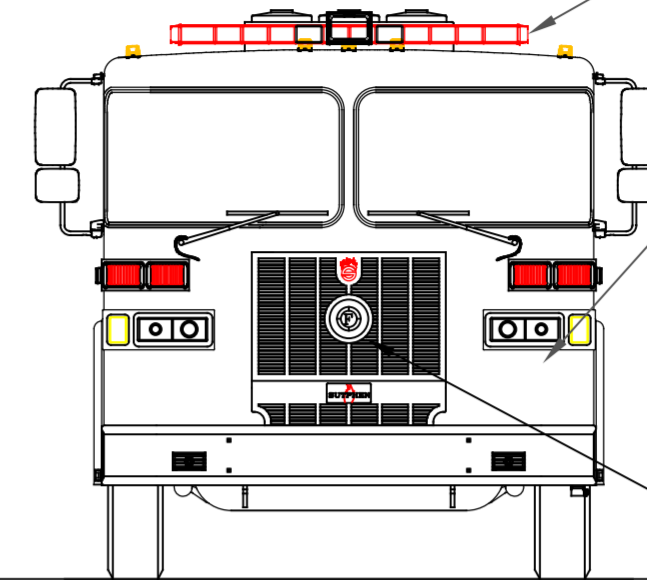
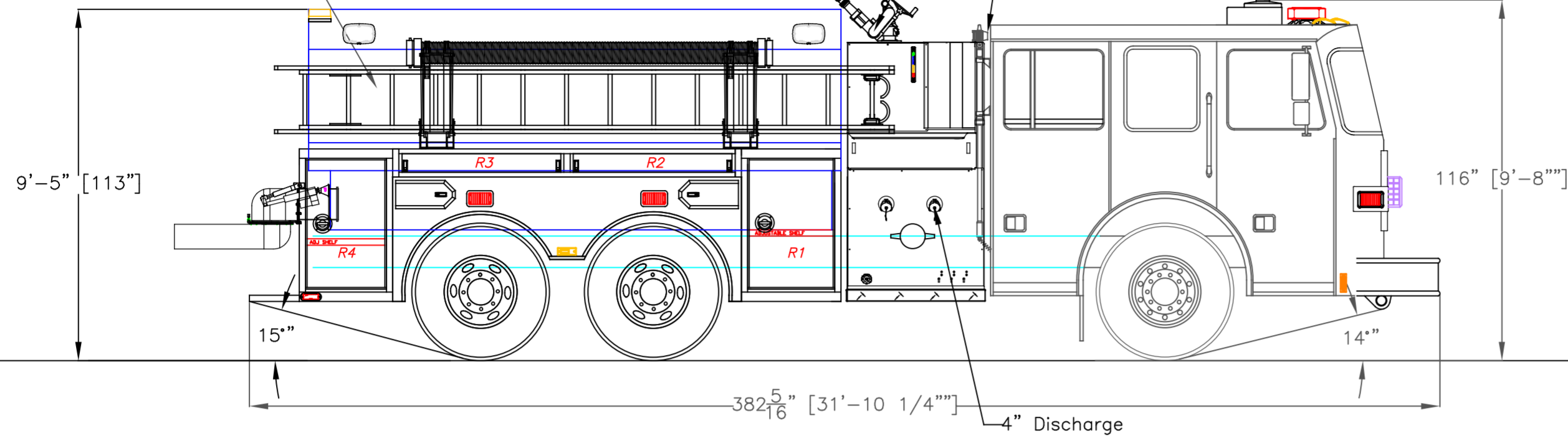
Zico Elec Extend Down Lader Rack
28ft EXT
16ft Roof
10ft Folding

Akron 3423
W/ 18" Extend-A-Gun
PFP2 Tele Lights

WHELEN
72" FREEDOM
ROTABEAM LIGHTBAR
With PFP1 BROW LIGHT

(10) Whelen
600 Series
Warning Lights

Federal Signal
Q2B



Left Side Compartmentation				
Compt	Doors	Opening Dimensions	Inside Dimensions	Volume
WxHxD				
L1	Hinged	25x35	32x45x24.25/10.25	16.2 CU FT
L2	Lift Up	51x6	51x6x10.25	1.8 CU FT
L3	Lift Up	51x6	51x6x10.25	1.8 CU FT
L4	Hinged	23x35	30x45x24.25/10.25	15.2 CU FT
Right Side Compartmentation				
Compt	Doors	Opening Dimensions	Inside Dimensions	Volume
WxHxD				
R1	Hinged	25x35	32x45x24.25/10.25	16.2 CU FT
R2	Lift Up	51x6	51x6x10.25	1.8 CU FT
R3	Lift Up	51x6	51x6x10.25	1.8 CU FT
R4	Hinged	23x35	30x45x24.25/10.25	15.2 CU FT

Hale Qmax 1500 single stage
Water Tank Capacity 2500 gal

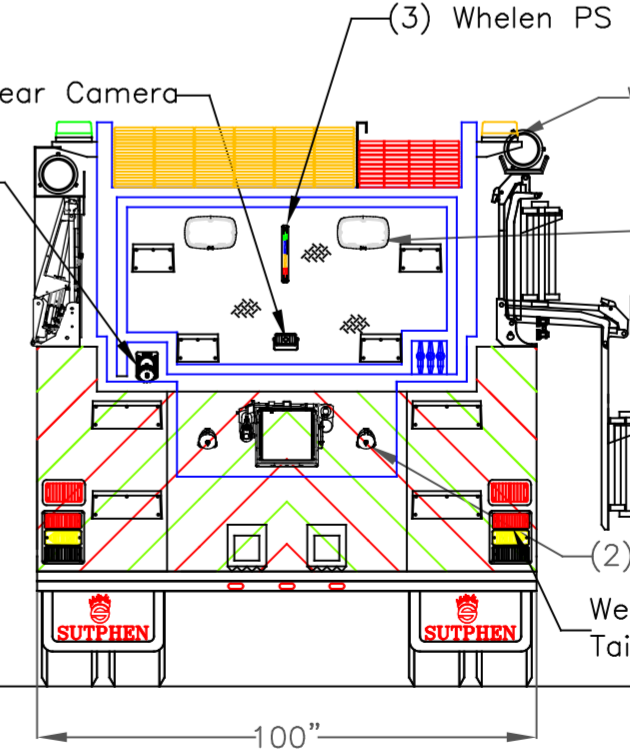
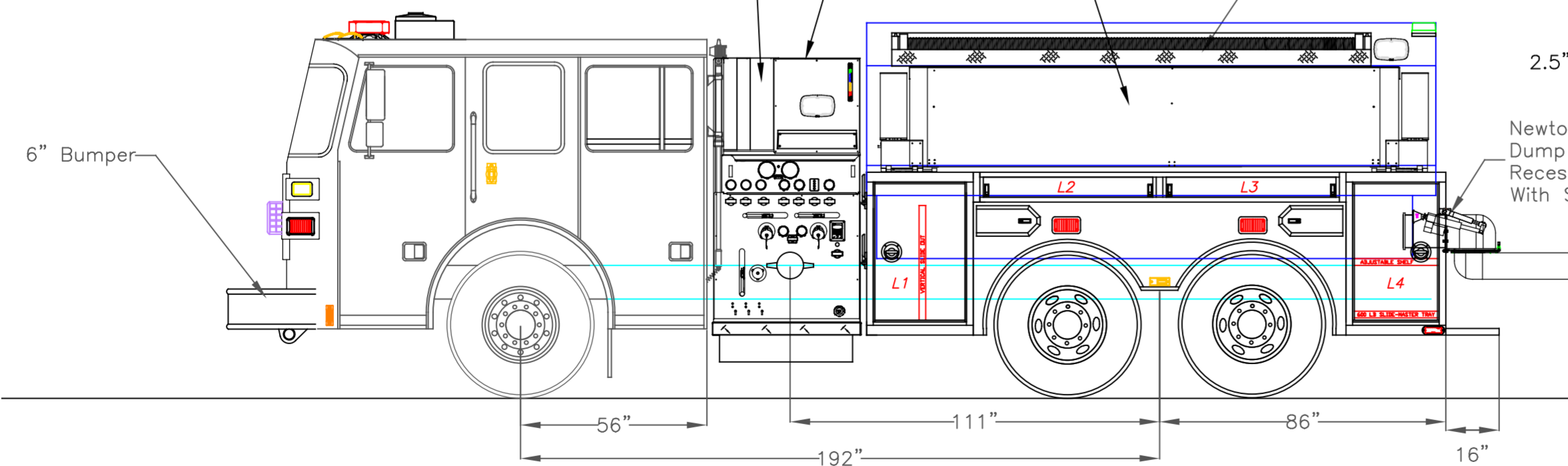
Total Volume	69.9 CU Ft
--------------	------------

Zico Elec Porta Tank Rack
With 2500 Gallon Porta Tank
(2) 200ft of 1.75" Crosslay
(1) 200ft 2.5" Crosslay
Class 1 Module
(2) 6" x 12ft Hard Suction

(3) Whelen PS Tank Level Gauges
Whelen L31 Beacons

(6) Whelen M9
LED Scene
Lights

(2) Firemans Friend 2.5" Tank Fill
Weldon 3884 Tripple Cluster
Tail/Turn/Backup



DIMENSIONS SHOWN ON THIS DRAWING ARE APPROXIMATE AND ARE SUBJECT TO MINOR DEVIATIONS DURING CONSTRUCTION.

CUSTOMER APPROVAL

NAME: _____
TITLE: _____
DATE: _____

REV.	DESCRIPTION	BY	DATE

THIS PRINT IS PROVIDED ON A RESTRICTED BASIS AND IS NOT TO BE USED IN ANY WAY DETRIMENTAL TO THE INTEREST OF SUTPHEN CORPORATION.

DRAWN BY:
J. Gordon
DATE:
2/01/2018
MFG. FACILITY:
SUTPHEN EAST
LAKE ARIEL, PA

SUTPHEN EAST
55 INNOVATION DRIVE
LAKE ARIEL, PA
1-844-776-2889
Burton Fire Dept.
Burton, OH
Custom Stainless Wetside Tanker
DWG. NO.: HS 6211