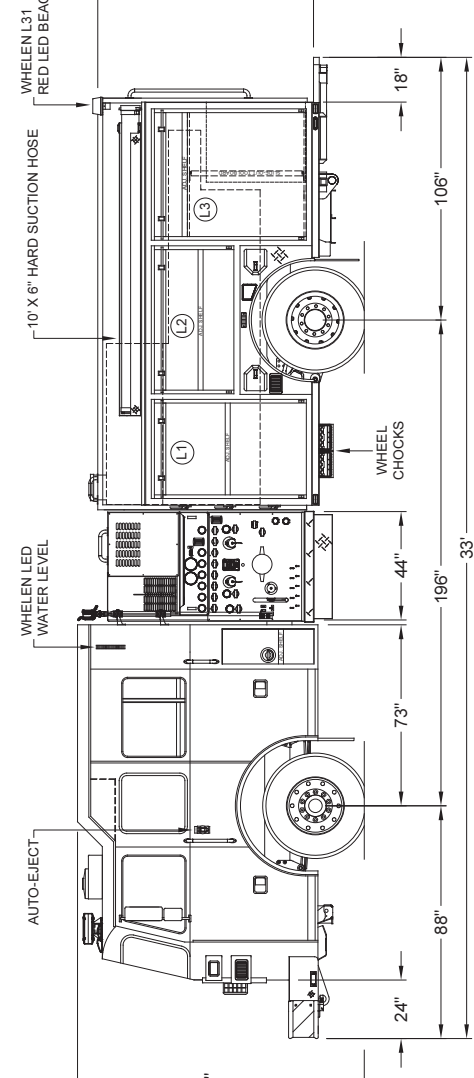
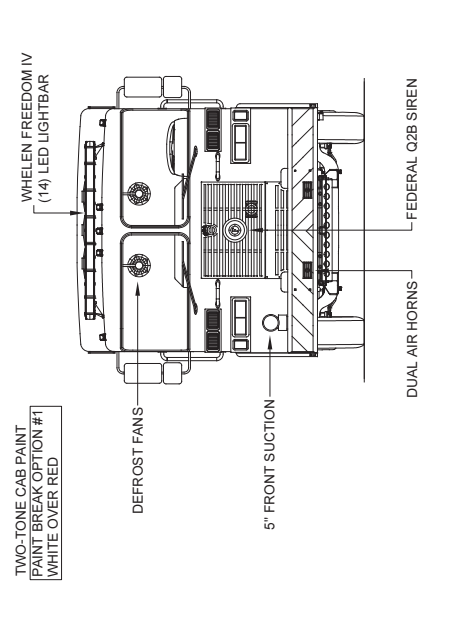
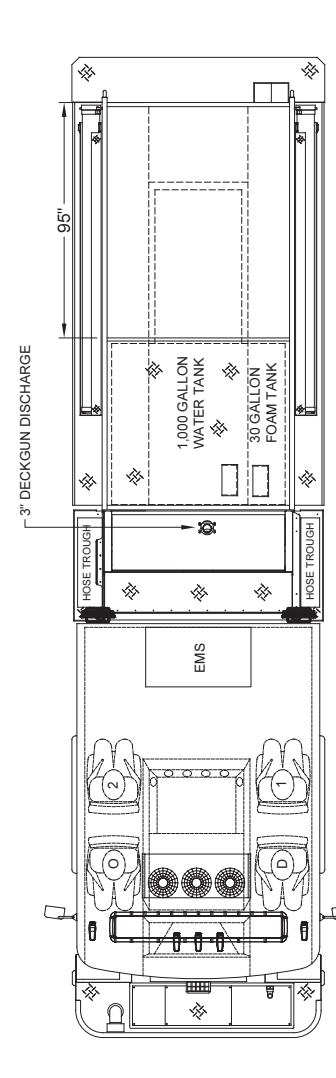


COMP	DOORS	OPENING DIMENSIONS	INSIDE DIMENSIONS	VOLUME
L1	ROLL-UP	33.5"W X 57.4"H	43.1"W X 65.7"H X 27.3"D	40.8 CU. FT.
	ROLL-UP	53.5"W X 28.2"H	61.6"W X 36.8"H X 27.3"D	28.8 CU. FT.
	ROLL-UP	46.5"W X 57.4"H	53.4"W X 65.7"H X 27.3"D	50.5 CU. FT.
R1	DOORS			
	ROLL-UP	33.5"W X 57.4"H	43.1"W X 65.7"H X 27.3"D	31.1 CU. FT.
	ROLL-UP	53.5"W X 28.2"H	61.6"W X 36.8"H X 10.5"D	13.8 CU. FT.
R3	ROLL-UP	33.5"W X 57.4"H	53.4"W X 65.7"H X 27.3"D	38.6 CU. FT.
	ROLL-UP			
REAR STEP COMPARTMENT				
COMP	DOORS	OPENING DIMENSIONS	INSIDE DIMENSIONS	VOLUME
A1	ROLL-UP	37.5"W X 22.5"H	46.7"W X 40.4"H X 31"D	38.3 CU. FT.
				TOTAL: 233.3 CU. FT.



CUSTOMER APPROVAL

DIMENSIONS SHOWN ON THIS DRAWING ARE APPROXIMATE AND ARE SUBJECT TO MINOR DEVIATIONS DURING CONSTRUCTION. IN THE EVENT OF A DISCREPANCY BETWEEN THE SUTPHEN SPECIFICATIONS AND DRAWING, THE SUTPHEN SPECIFICATIONS SHALL PREVAIL. DRAWING IS FOR REFERENCE ONLY. SOME ITEMS PROPOSED MAY NOT BE SHOWN OR NOTED.

NAME: _____ TITLE: _____ DATE: _____

DESCRIPTION: EXTERIOR CAB COMPT DOORS REVERSE HINGED; ADD (1) SHELF TO EACH EXTERIOR CAB COMPT; CORRECTED WHEELBASE CALL-OUT IN COMPONENT REPORT; REV-A SHOP ORDER

THIS PRINT IS PROVIDED ON A RESTRICTED BASIS AND IS NOT TO BE USED IN ANY WAY DETRIMENTAL TO THE INTEREST OF SUTPHEN CORPORATION.

REV	DESCRIPTION	DATE	BY
A	REV-A SHOP ORDER	04/12/18	DUBLIN
B	CORRECTED WHEELBASE CALL-OUT IN COMPONENT REPORT	02/28/18	R MILLER
C	EXTERIOR CAB COMPT DOORS REVERSE HINGED; ADD (1) SHELF TO EACH EXTERIOR CAB COMPT	05/07/18	R MILLER
D	POST-PRODUCTION REVISION TO REFLECT FINAL PRODUCT	01/28/19	R MILLER

DRAWN BY: R MILLER
DATE: 02/28/18
MFG FACILITY: DUBLIN
DATE: 04/12/18

SUTPHEN
PENN TOWNSHIP FIRE DEPARTMENT
MISHAWAKA, IN
CUSTOM PUMPER - S2 BODY
DWG. NO.: HS-6231