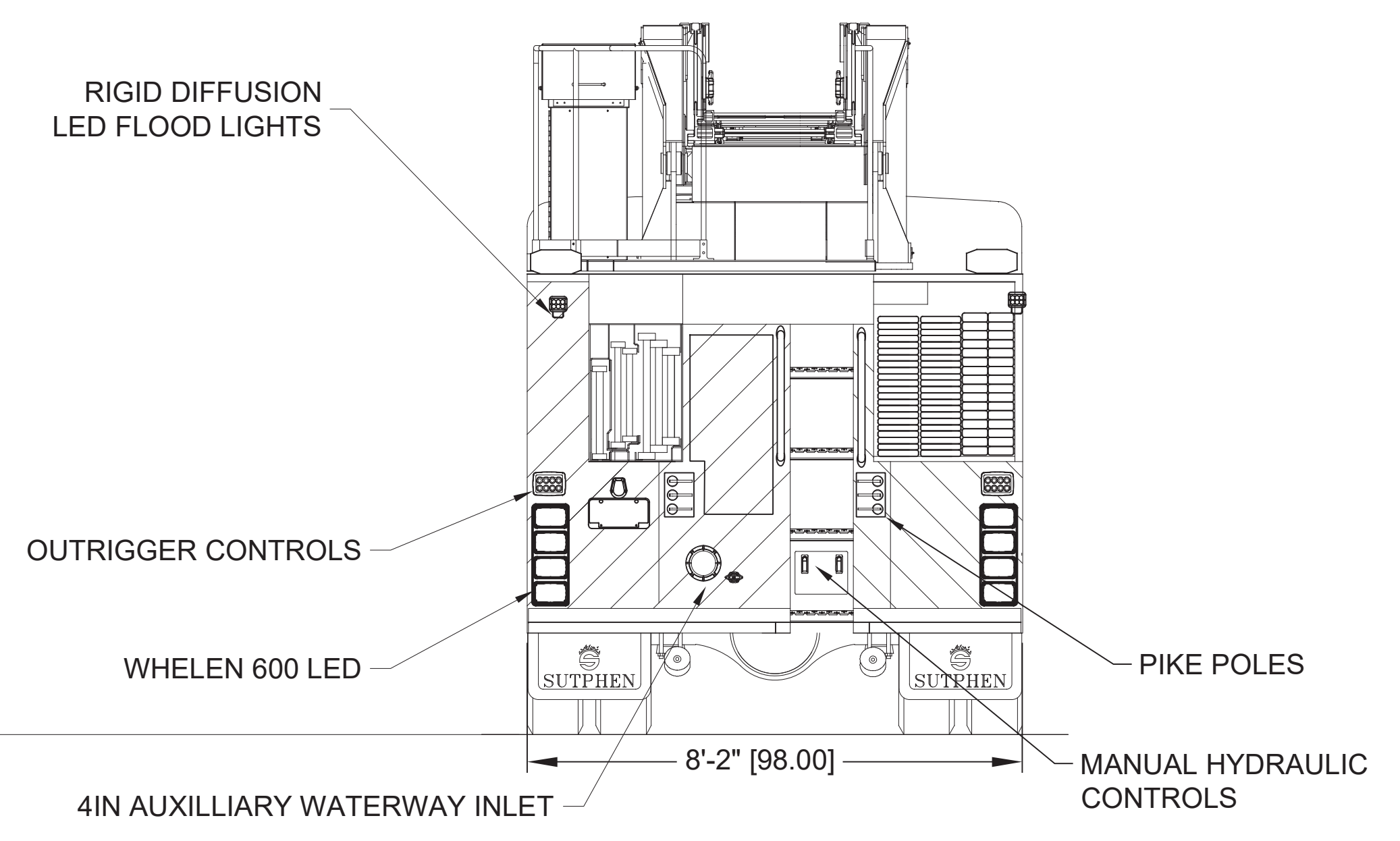
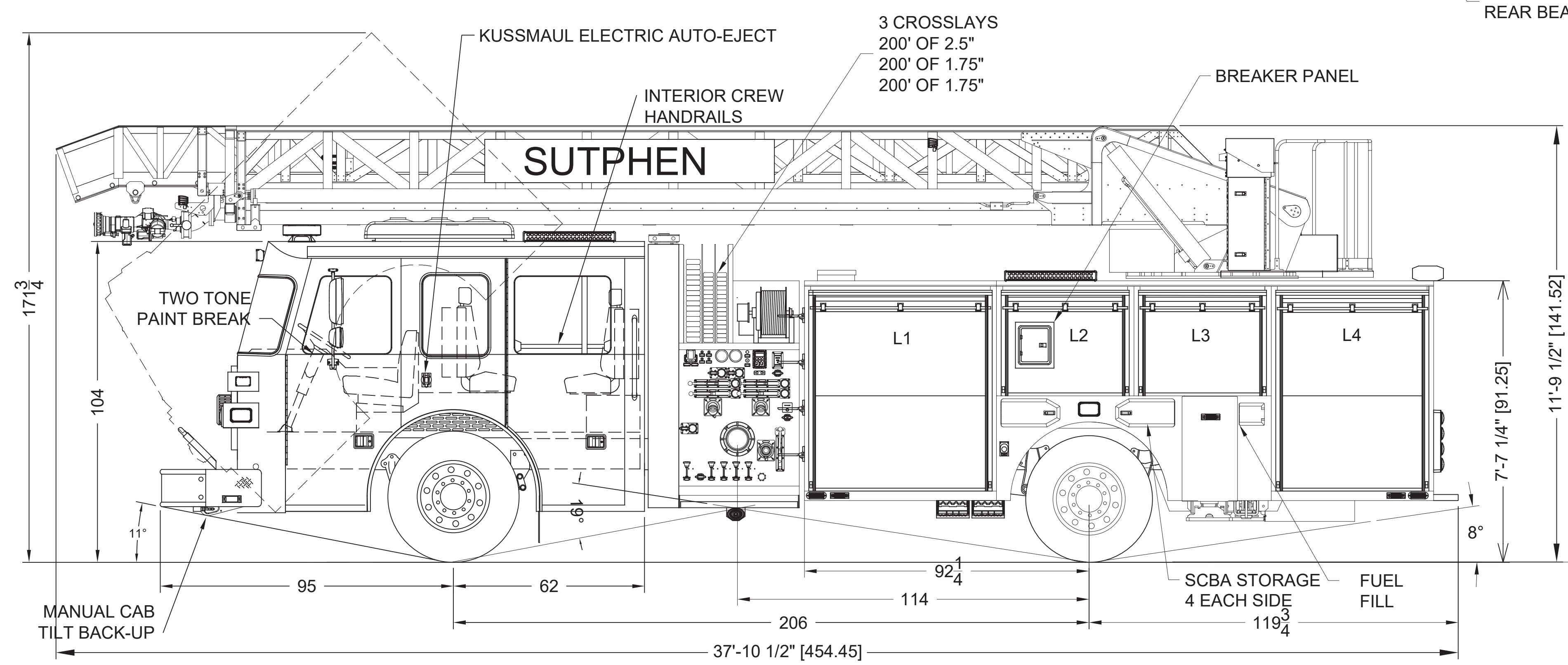


COMPT	DOORS	OPENING DIMENSIONS	INSIDE DIMENSIONS	VOLUME
L1 UPPER	ROLL-UP	55.50"W x 28.00"H	62.12"W x 37.13"H x 10.00"D	13.34 CU. FT.
L1 LOWER	ROLL-UP	55.50"W x 30.00"H	62.12"W x 30.00"H x 23.93"D	25.80 CU. FT.
L2	ROLL-UP	38.00"W x 27.13"H	44.50"W x 36.25"H x 10.00"D	9.33 CU. FT.
L3	ROLL-UP	38.00"W x 27.13"H	44.50"W x 36.25"H x 10.00"D	9.33 CU. FT.
L4 UPPER	ROLL-UP	46.00"W x 28.00"H	50.06"W x 37.13"H x 10.00"D	10.75 CU. FT.
L4 LOWER	ROLL-UP	46.00"W x 30.00"H	50.06"W x 30.00"H x 23.93"D	20.79 CU. FT.
R1	ROLL-UP	55.50"W x 58.13"H	62.12"W x 67.25"H x 23.93"D	57.85 CU. FT.
R2	ROLL-UP	46.00"W x 21.75"H	50.06"W x 30.00"H x 23.93"D	20.80 CU. FT.
		SCBA TUBES	8 TUBES X 0.746 CU. FT. EACH	5.98 CU. FT.
		PIKE POLE TUBES	6 TUBES X 0.252 CU. FT. EACH	1.51 CU. FT.
		GROUND LADDER CHUTE	13.87"W x 26.81"H x 197.28"D	42.45 CU. FT.
		TOTAL VOLUME		217.93 CU. FT.

ALCO-LITE QUINT LADDER COMPLIMENT
 FL-1 10' FOLDING (FLY SECTION)
 PRL-16 16' ROOF
 PEL-24 24' 2-SECTION
 PEL-35 35' 3-SECTION



DIMENSIONS SHOWN ON THIS DRAWING ARE APPROXIMATE AND ARE SUBJECT TO MINOR DEVIATIONS DURING CONSTRUCTION.

IN THE EVENT OF A DISCREPANCY BETWEEN THE SUTPHEN SPECIFICATIONS AND DRAWING, THE SUTPHEN SPECIFICATIONS SHALL PREVAIL.

DRAWING IS FOR REFERENCE ONLY. SOME ITEMS PROPOSED MAY NOT BE SHOWN OR NOTED.

CUSTOMER APPROVAL

NAME: _____

TITLE: _____

DATE: _____

REV.	DESCRIPTION	BY	DATE

THIS PRINT IS PROVIDED ON A RESTRICTED BASIS AND IS NOT TO BE USED IN ANY WAY DETRIMENTAL TO THE INTEREST OF SUTPHEN CORPORATION.

DRAWN BY: APF

DATE: 07/05/17

MFG. FACILITY: HILLIARD

DEMO 438

SLR75

HS-6118