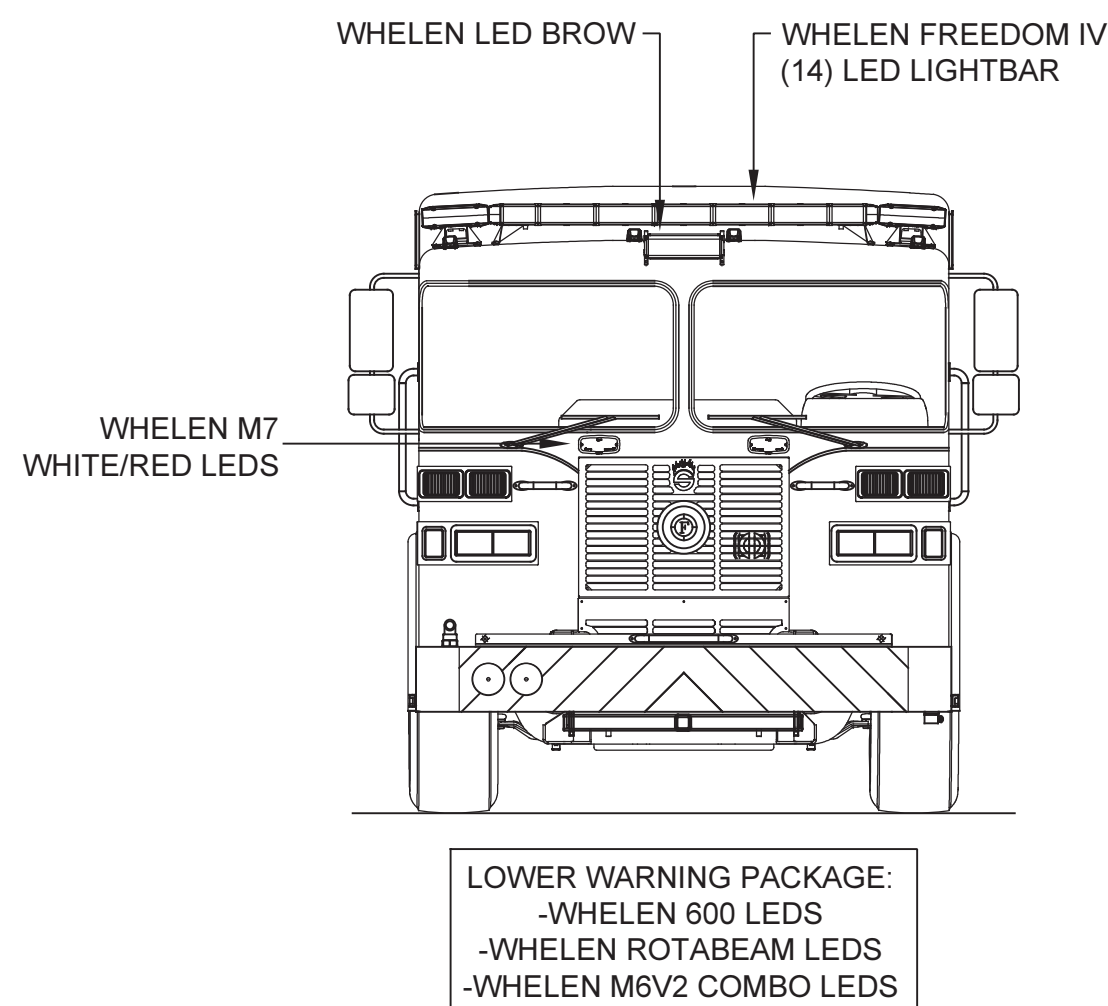
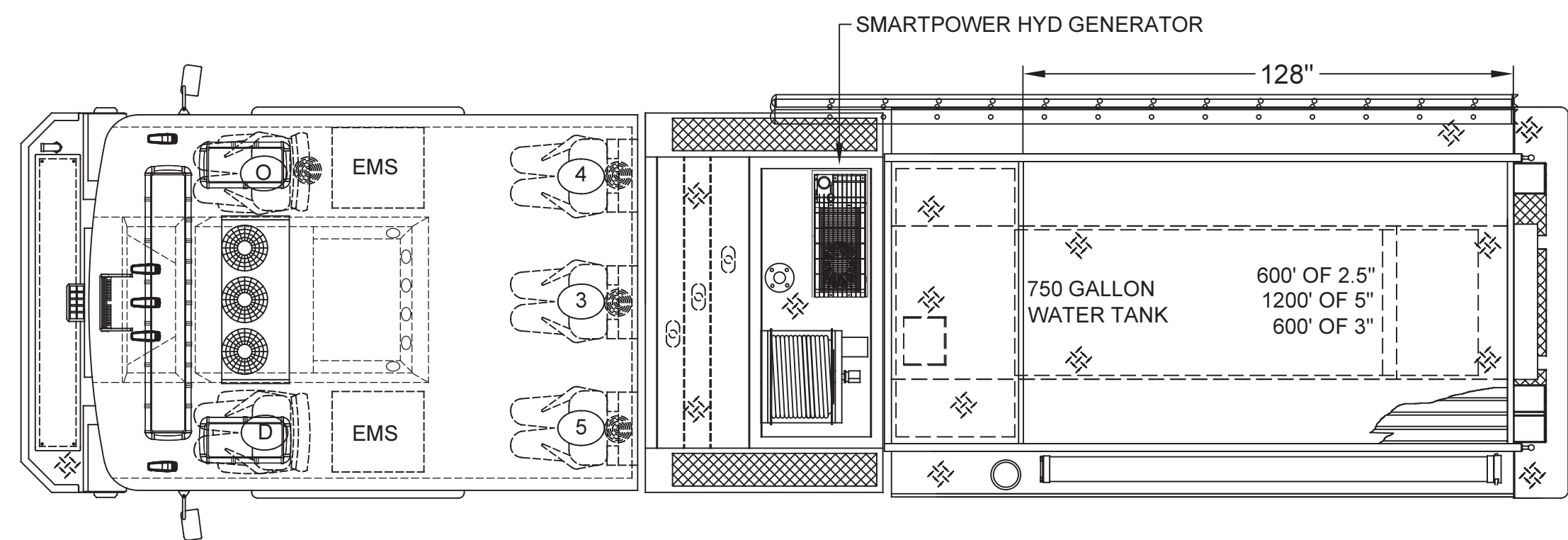
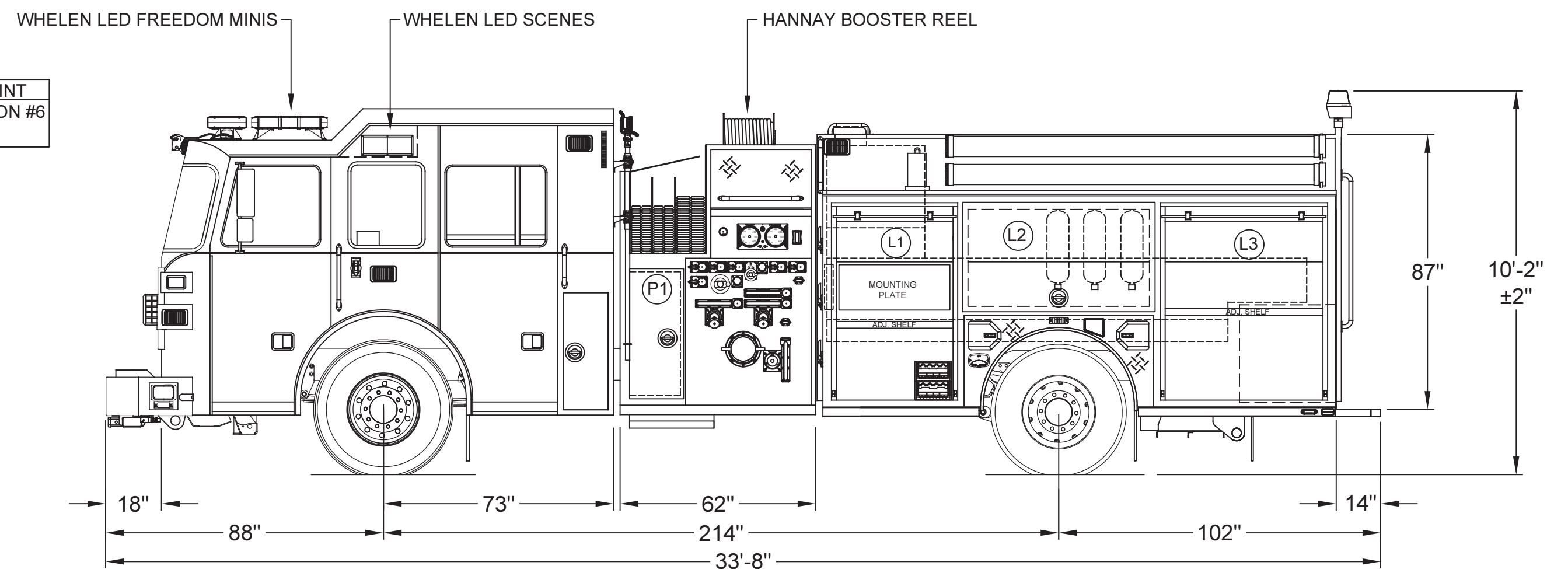


LEFT SIDE COMPARTMENTATION				
COMPT	DOORS	OPENING DIMENSIONS	INSIDE DIMENSIONS	VOLUME
L1	ROLL-UP	37" w X 56 7/8" h	43 1/2" w X 66" h X 27 1/4" d (10 1/2" d upper)	39 CU. FT.
L2	LIFT UP	57 1/2" w X 32 1/4" h	61 1/2" w X 36 1/2" h X 27 1/4" d (10 1/2" d upper)	23 CU. FT.
L3	ROLL-UP	50" w X 56 7/8" h	53 1/2" w X 66" h X 27 1/4" d (10 1/2" d upper)	48 CU. FT.
RIGHT SIDE COMPARTMENTATION				
COMPT	DOORS	OPENING DIMENSIONS	INSIDE DIMENSIONS	VOLUME
R1	ROLL-UP	37" w X 50 7/8" h	43 1/2" w X 60" h X 27 1/4" d (10 1/2" d upper)	38 CU. FT.
R2	ROLL-UP	57" w X 21 5/8" h	61 1/2" w X 30 1/2" h X 27 1/4" d (10 1/2" d upper)	21 CU. FT.
R3	ROLL-UP	50" w X 50 7/8" h	53 1/2" w X 60" h X 27 1/4" d (10 1/2" d upper)	47 CU. FT.
REAR STEP COMPARTMENTS				
COMPT	DOORS	OPENING DIMENSIONS	INSIDE DIMENSIONS	VOLUME
A1	ROLL-UP	27 1/2" w X 31" h	30" h X 40" w X 30 1/2" d	21 CU. FT.

TOTAL: 237 CU. FT.



TWO-TONE CAB PAINT
PAINT BREAK OPTION #6
BLACK OVER RED



DIMENSIONS SHOWN ON THIS DRAWING ARE APPROXIMATE AND ARE SUBJECT TO MINOR DEVIATIONS DURING CONSTRUCTION.

IN THE EVENT OF A DISCREPANCY BETWEEN THE SUTPHEN SPECIFICATIONS AND DRAWING, THE SUTPHEN SPECIFICATIONS SHALL PREVAIL.

DRAWING IS FOR REFERENCE ONLY. SOME ITEMS PROPOSED MAY NOT BE SHOWN OR NOTED.

CUSTOMER APPROVAL

NAME: _____

TITLE: _____

DATE: _____

REV.	DESCRIPTION	BY	DATE
J	POST-PRODUCTION SHOP ORDER REVISION	RM	09/18/19
I	MID-INSPECTION UPDATES	RM	08/14/19
H	TRIPOD LIGHT DELETED ; SECOND ADJUSTABLE SHELF ADDED TO R3 COMPARTMENT	RM	05/24/19
G	STEPS ON REAR OF BODY CHANGED TO FOLD-DOWN	RM	04/09/19

THIS PRINT IS PROVIDED ON A RESTRICTED BASIS AND IS NOT TO BE USED IN ANY WAY DETRIMENTAL TO THE INTEREST OF SUTPHEN CORPORATION.

DRAWN BY:	R. MILLER
DATE:	01/05/17
MFG. FACILITY:	DUBLIN

SOUTHINGTON FIRE DEPT.
SOUTHINGTON, CT

CUSTOM PUMPER - PA01 43/53 SPECIAL BODY

DWG. NO.: HS-6333